

WVO-605B Series VCO
Product Data Sheet

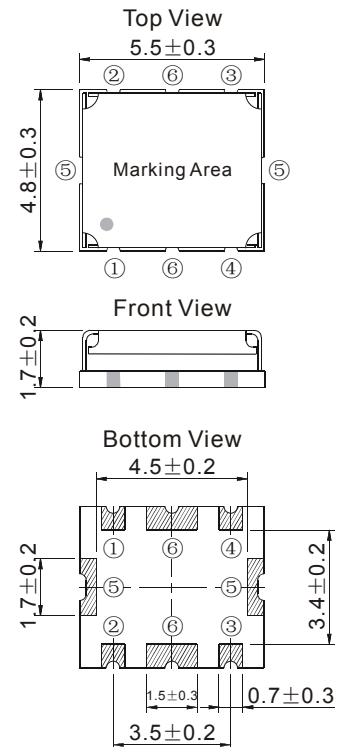
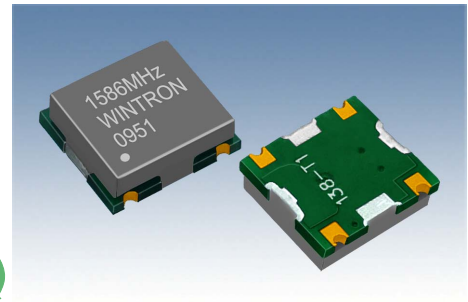
INNOVATION BEYOND IMAGINATION

Features

- Wide Frequency Range from 10MHz to 10GHz
- Small Size, Light Weight, Compatible Package
- Superior Stability in Response to Ambient Temperature and Load Variations
- Extremely Linear and Accurate Tuning
- High Tuning Speed
- Excellent Low Phase Noise Characteristics(C/N,S/N)
- High Performance and High Reliability
- Custom Designs Available

Applications

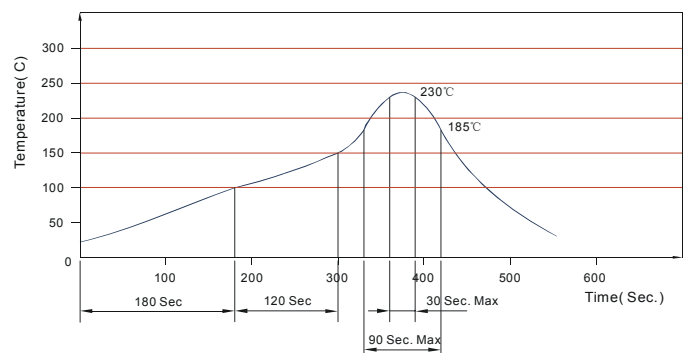
- Wireless Communication and Test Equipment
- Radar Receivers and Satellite Systems
- Base Stations
- Analog and Digital Radio Systems
- Industrial Controls and Noise Measurements



Pad Alignments:

Pad Alignments:	
Pad #1	RF OUT
Pad #2	Vcc
Pad #3	Vcont(Vt)
Pad #4	GND
Pad #5	GND
Pad #6	GND

Solder Profile



WVO-605B Series VCO

Product Data Sheet

INNOVATION BEYOND IMAGINATION

Specification:

Parameter	Symb.	Condition	Min.	Typ.	Max.	Unit	Note
-----------	-------	-----------	------	------	------	------	------

Absolute Maximum Ratings

Storage Temp.	Ts		-45		+95	°C	
Supply Voltage	Vcc		3.15		3.45	V	
Tuning Voltage	Vt		0		+3.3	V	

Electrical

Frequency Range	FL				1548	MHz	Vt=0V
	FU		1624			MHz	Vt=3.3V
Supply Voltage	Vcc			3.3		V	
Supply Current	Icc				20	mA	
Output Load				50		Ω	
Output Power			+3			dBm	
2 nd Output Power						dBm	Optional
Output Ripple					±1.0	dB	
Tuning Voltage	Vt		0		3.3	V	
Tuning Sensitivity			24			MHz/V	
Input Impedance		Vt=0V,@1MHz	10			MΩ	
Pushing Figure		Vcc=3.3V±0.165V			±1.0	MHz	
Pulling Figure		VSWR=2			±1.0	MHz	For all Phase
SSB Phase Noise		1KHz		-72	-70	dBc/Hz	
		10KHz		-98	-95		
		100KHz		-118	-115		
Harmonics Below Carrier					-20	dBc	2nd,3rd Harmonics
Spurious Below Carrier					-80	dBc	
Operating Temp.	To		-40		+85	°C	
Package		SMD(5.5×4.8×1.7)				mm	

All parameters for 1548MHz to 1624MHz

Environmental and Mechanical

Temperature & Humidity	Per MIL-STD-883,Method 1010,Cond.B & MIL-STD-883, Method 1011,Cond.B
Mechanical Shock	Per MIL-STD-202,Method 213,Cond.E, 30G, 11 mS, 3 cycles each plane
Vibration	Per MIL-STD-883,Method 2007,Cond.A, 5G, 30Hz to 2000Hz, 6 hours
Thermal Shock	Per MIL-STD-883,Method 1011,Cond.A, -40°C 30M to +85°C 30M, 7 days
Soldering Condition	Leads temperature 260°C for 10s max, 230°C for 30s max, SMD profile

Electrical Connections

Pad Function	Pad #1- RF OUT,Pad #2-Vcc,Pad #3- Vcont(Vt) , Pad #4- GND,Pad #5-GND,Pad #6- GND
--------------	--

Creating a Part Number

WVO-605B - Frequency, MHz

Temperature Range

Code	Specification
A	0°C to 50°C
B	-10°C to 60°C
C	-20°C to 75°C
D	-30°C to 75°C
E	-40°C to 85°C
F	-45°C to 90°C

Supply Voltage

Code	Specification
5	5.0V±5%
8	8.0V±5%
12	12.0V±5%
	Other Options

Not all combinations are available.Consult Your Local Sales Offices.